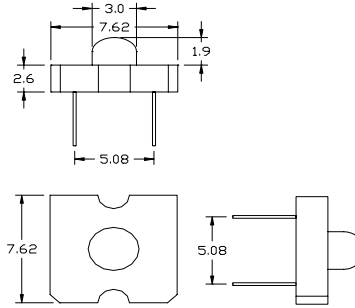




● SHULIGHT® Super Flux LED Series:

Part Number	Chip Material	Lens Type	Emitting Color	Forward Voltage(V)		Domian Wave-length	Luminous Intensity (mcd)	Reverse Current (μA)	Viewing Angel (deg)
				YPI	MAX	YPE(nm)	TYPE	MAX	2 /2

➤ Round 3mm*1.9mm Super Flux LED



SLF-R9R3019C-**	InGaAIP	Water Clear	Super Bright Red	2.1	2.5	620-660	500-4500	10	35
SLF-Y9R3019C-**	InGaAIP	Water Clear	Super Bright Yellow	2.1	2.5	580-595	600-4500	10	35
SLF-O9R3019C-**	InGaAIP	Water Clear	Super Bright Orange	2.1	2.5	600-610	350-4000	10	35
SLF-B9R3019C-**	InGaN	Water Clear	Super Bright Blue	3.3	4.0	450-475	1000-7000	100	35
SLF-G9R3019C-**	InGaN	Water Clear	Super Bright Green	3.3	4.0	500-540	1000-7000	100	35
SLF-W9R3019C-**	InGaN	Water Clear	White	3.3	4.0	/	1000-7000	100	35

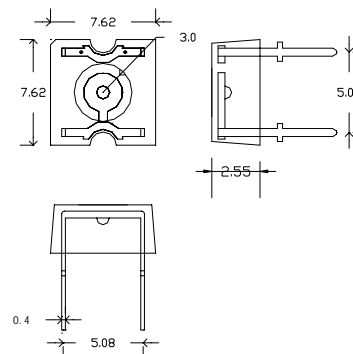
(Test condition) 测试条件

IF=20mA/VR=5V

➤ Round 3mm Plane Super Flux LED



■ Pack Dimensions



SLF-R9R30PC-**	InGaAIP	Water Clear	Super Bright Red	2.1	2.5	620-660	500-4500	10	50
SLF-Y9R30PC-**	InGaAIP	Water Clear	Super Bright Yellow	2.1	2.5	580-595	600-4500	10	50
SLF-O9R30PC-**	InGaAIP	Water Clear	Super Bright Orange	2.1	2.5	600-610	350-4000	10	50
SLF-B9R30PC-**	InGaN	Water Clear	Super Bright Blue	3.3	4.0	450-475	1000-7000	100	50
SLF-G9R30PC-**	InGaN	Water Clear	Super Bright Green	3.3	4.0	500-540	1000-7000	100	50
SLF-W9R30PC-**	InGaN	Water Clear	White	3.3	4.0	/	1000-7000	100	50

(Test condition) 测试条件

IF=20mA/VR=5V



厦门市曙光电子科技有限公司

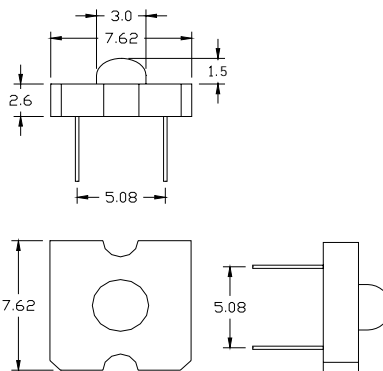
Xiamen Shulight Optoelectronic Technology Co., Ltd.

ADD: No. 180 Building Road Nanshan, Huli Industrial Zone, Xiamen 361006, China

TEL: +86-592-5659669 FAX: 86-5639450 E-mail: sales@slt-led.com <http://www.slt-led.com>

Part Number	Chip Material	Lens Type	Emitting Color	Forward Voltage(V)		Dominant Wavelength (nm)	Luminous Intensity (mcd)	Reverse Current (μA)	Viewing Angle (deg)
				TYPE	MA				

➤ Round 3mm*1.5mm Super Flux LED

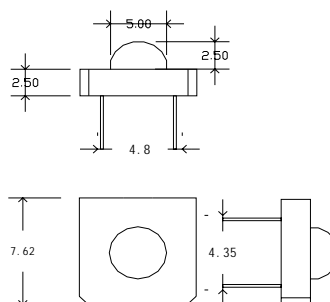


SLF-R9R3015C-**	InGaAlP	Water Clear	Super Bright Red	2.1	2.5	620-660	450-4000	10	70
SLF-R9R3015C-**	InGaAlP	Water Clear	Super Bright Yellow	2.1	2.5	580-595	500-4000	10	70
SLF-R9R3015C-**	InGaAlP	Water Clear	Super Bright Orange	2.1	2.5	600-610	300-3500	10	70
SLF-R9R3015C-**	InGaN	Water Clear	Super Bright Blue	3.3	4.0	450-475	800-6000	100	70
SLF-R9R3015C-**	InGaN	Water Clear	Super Bright Green	3.3	4.0	500-540	800-6000	100	70
SLF-R9R3015C-**	InGaN	Water Clear	White	3.3	4.0	/	800-6000	100	70

(Test condition) 测试条件

IF=20mA/VR=5V

➤ Round 5mm *2.5mm Super Flux LED



SLF-R9R5025C-**	InGaAlP	Water Clear	Super Bright Red	2.1	2.5	620-660	200-4000	10	100
SLF-Y9R5025C-**	InGaAlP	Water Clear	Super Bright Yellow	2.1	2.5	580-595	300-4000	10	100
SLF-O9R5025C-**	InGaAlP	Water Clear	Super Bright Orange	2.1	2.5	600-610	180-3500	10	100
SLF-B9R5025C-**	InGaN	Water Clear	Super Bright Blue	3.3	4.0	450-475	500-6000	100	100
SLF-G9R5025C-**	InGaN	Water Clear	Super Bright Green	3.3	4.0	500-540	500-6000	100	100
SLF-W9R5025C-**	InGaN	Water Clear	White	3.3	4.0	/	500-6000	100	100

(Test condition) 测试条件

IF=20mA/VR=5V



厦门市曙光电子科技有限公司

Xiamen Shulight Optoelectronic Technology Co., Ltd.

ADD: No. 180 Building Road Nanshan, Huli Industrial Zone, Xiamen 361006, China

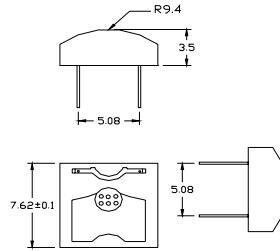
TEL: +86-592-5659669 FAX: 86-5639450 E-mail: sales@slt-led.com <http://www.slt-led.com>

Part Number	Chip Material	Lens Type	Emitting Color	Forward Voltage(V)		Domianar Wave-length	Luminous Intensity (mcd)	Reverse Current (μA)	Viewing Angel (deg)
				TYPI	MAX	TYPE(nm)	TYPE	MAX	2 /2

➤ R9.4mm*3.5mm Super Flux LED



< Dimensions



SLF-R9R9435C-**	InGaAlP	Water Clear	Super Bright Red	2.1	2.5	620-660	150-1000	10	160
SLF-Y9R9435C-**	InGaAlP	Water Clear	Super Bright Yellow	2.1	2.5	580-595	200-1200	10	160
SLF-O9R9435C-**	InGaAlP	Water Clear	Super Bright Orange	2.1	2.5	600-610	100-1000	10	160
SLF-B9R9435C-**	InGaN	Water Clear	Super Bright Blue	3.3	4.0	450-475	300-2000	100	160
SLF-G9R9435C-**	InGaN	Water Clear	Super Bright Green	3.3	4.0	500-540	300-2000	100	160
SLF-W9R9435C-**	InGaN	Water Clear	White	3.3	4.0	/	300-2000	100	160

(Test condition) 测试条件

IF=20mA/VR=5V

➤ Ellipse Super Flux LED

SLF-R9E4030C-**	InGaAlP	Water Clear	Super Bright Red	2.1	2.5	620-660	450-4000	10	30/90
SLF-Y9 E4030C-**	InGaAlP	Water Clear	Super Bright Yellow	2.1	2.5	580-595	500-4000	10	30/90
SLF-O9 E4030C-**	InGaAlP	Water Clear	Super Bright Orange	2.1	2.5	600-610	300-3500	10	30/90
SLF-B9 E4030C-**	InGaN	Water Clear	Super Bright Blue	3.3	4.0	450-475	800-6000	100	30/90
SLF-G9 E4030C-**	InGaN	Water Clear	Super Bright Green	3.3	4.0	500-540	800-6000	100	30/90
SLF-W9 E4030C-**	InGaN	Water Clear	White	3.3	4.0	/	800-6000	100	30/90

(Test condition) 测试条件

IF=20mA/VR=5V

➤ Three Color Super Flux LED

SLF-RGB9E3019 C-**	InGaAlP	Water Clear	Super Bright Red	2.1	2.5	620-645	500-4500	10	40
	InGaN		Super Bright Blue	3.3	4.0	450-475	1000-7000	100	40
	InGaN		Super Bright Green	3.3	4.0	500-540	1000-7000	100	40

(Test condition) 测试条件

IF=20mA/VR=5V

➤ High Power Color Super Flux LED

SLF-WPR 5025C	InGaNSiC	Water Clear	High Power White	3.6	4.2	/	6000-7500	100	100
SLF-BPR 5025C	InGaNSiC	Water Clear	High Power Blue	3.6	4.2	450-475	4500-6000	100	100
SLF-GPR 5025C	InGaNSiC	Water Clear	High Power Green	3.6	4.2	500-540	9000-11000	100	100

(Test condition) 测试条件

IF=20mA/VR=5V