



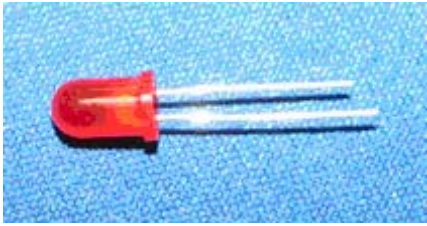
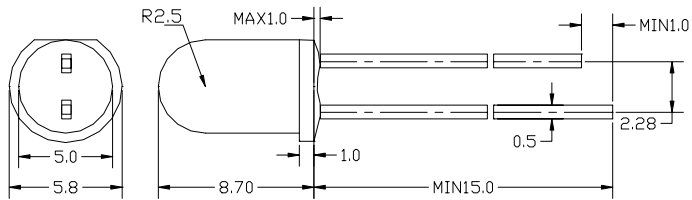
厦门市曙光电子科技有限公司

Xiamen Shulight Optoelectronic Technology Co., Ltd.

ADD: No. 180 Building Road Nanshan, Huli Industrial Zone, Xiamen 361006, China

TEL: +86-592-5659669 FAX: 86-5639450 E-mail: sales@slt-led.com <http://www.slt-led.com>

● Indicator Series LEDs- SHULIGHT® 5mm Round LED

Part Number	Chip Material	Lens Type	Emitting Color	Forward Voltage (V)		Dominant Wave-length (nm)	Luminous Intensity (mcd)		Reverse Current (μA)	Viewing Angel (deg)
				TYI	MAX		MIN	MAX		
➤ Φ5*8.70mm Round Short Lead LED with Flange										
										
SLL-R6R05A-4A	GaP	Color Diff.	Ordinary Bright Red	1.8	2.5	630	6.0	9.0	10	100
SLL-R7R05AE-1A	GaP	Color Diff.	High Bright Red	1.8	2.5	630	80	100	10	20
SLL-R7O5A-3A	GaP	Color Diff.	High Bright Red	1.9	2.5	635	200	300	10	20
SLL-R7O5A-4C	GaAsP/GaP	Color Diff.	High Bright Red	2.0	2.5	625	50	100	10	100
SLL-Y7R05A-3A	GaAsP/GaP	Color Diff.	High Bright Yellow	2.0	2.5	590	20	40	10	20
SLL-Y7R05C-2A	GaAsP/GaP	Water Clear	High Bright Yellow	2.0	2.5	590	60	100	10	10
SLL-Y7R05C-3A	GaAsP/GaP	Water Clear	High Bright Yellow	2.0	2.5	590	500	700	10	10
SLL-G7R05A-3A	GaP	Color Diff.	High Bright Green	2.1	2.5	570	20	40	10	20
SLL-G7R05C-3A	GaP	Water Clear	High Bright Green	2.1	2.5	570	150	250	10	10
(Test condition) 测试条件				IF=10mA/VR=5V						
SLL-R9R05C-1J	AlGaInP	Water Clear	Ultra Bright Red	2.1	2.5	635	700	900	10	30
SLL-R9R05C-2A	AlGaInP	White Diff.	Ultra Bright Red	2.0	2.5	630	800	1200	10	50
SLL-R9R05C-2L	AlGaInP	Water Clear	Ultra Bright Red	2.1	2.5	625	2500	4500	10	20
SLL-R9R05C-2K	AlGaInP	Water Clear	Ultra Bright Red	2.0	2.5	635	1000	1400	10	20
SLL-R9R05C-2N	AlGaInP	Water Clear	Ultra Bright Red	2.0	2.5	625	800	1200	10	20
SLL-R9R05C-1B	AlGaInP	Water Clear	Ultra Bright Red	2.0	2.5	630	2000	3000	10	10
SLL-R9R05C-2Q	AlGaInP	Water Clear	Ultra Bright Red	2.2	2.5	625	2500	3500	10	30
SLL-R9R05C-3B	AlGaInP	Water Clear	Ultra Bright Red	2.0	2.5	630	3000	4000	10	10
SLL-R9R05C-3C	AlGaInP	Water Clear	Ultra Bright Red	2.0	2.5	625	4000	6000	10	10
SLL-O9R05C-3A	AlGaInP	Water Clear	Ultra Bright Orange	2.0	2.5	605	3000	6000	10	10
SLL-A9R05C-1C	AlGaInP	Water Clear	Ultra Bright Amber	2.0	2.5	605	2000	3000	10	30
SLL-Y9R05A	AlGaInP	Color Diff.	Ultra Bright Yellow	2.1	2.5	585	350	400	10	20
SLL-Y9R05C-1C	AlGaInP	Water Clear	Ultra Bright Yellow	2.0	2.5	590	1000	1600	10	20
SLL-Y9R05C-2B	AlGaInP	Water Clear	Ultra Bright Yellow	2.1	2.5	590	1700	2300	10	10
SLL-Y9R05C-2H	AlGaInP	Water Clear	Ultra Bright Yellow	2.0	2.5	590	750	1250	10	20
SLL-Y9R05C-2I	AlGaInP	Water Clear	Ultra Bright Yellow	2.0	2.5	590	800	1200	10	20
SLL-Y9R05C-2K	AlGaInP	Water Clear	Ultra Bright Yellow	2.1	2.5	593	4000	5000	10	30
SLL-Y9R05C-3C	AlGaInP	Water Clear	Ultra Bright Yellow	2.1	2.5	590	1500	3500	10	10
SLL-V9R05C-1A	InGaN	Water Clear	Itra Bright Verdant	3.3	4.0	520	9000	11000	100	10
SLL-V9R05C-1E	InGaN	Water Clear	Itra Bright Verdant	2.8	4.0	525	6500	8500	100	30



厦门市曙光电子科技有限公司

Xiamen Shulight Optoelectronic Technology Co., Ltd.

ADD: No. 180 Building Road Nanshan, Huli Industrial Zone, Xiamen 361006, China

TEL: +86-592-5659669 FAX: 86-5639450 E-mail: sales@slt-led.com <http://www.slt-led.com>

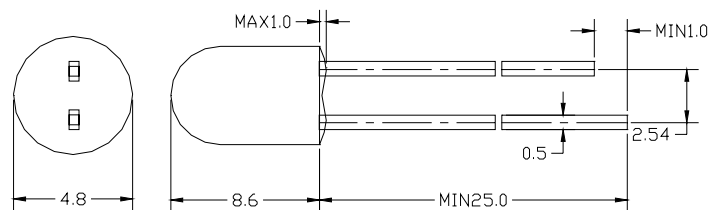
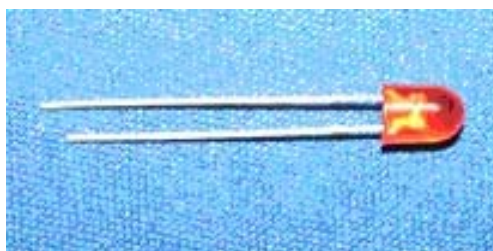
SLL-V9R05C-2G	InGaN	Water Clear	Ultra Bright Verdant	3.4	4.0	515	7000	10000	100	20
SLL-V9R05C-2I	InGaN	Water Clear	Ultra Bright Verdant	3.4	4.0	525	9000	11000	100	10
SLL-V9R05C-2B	InGaN	Water Clear	Ultra Bright Cyan	3.4	4.0	505	6000	8000	100	30
SLL-V9R05C-2H	InGaN	Water Clear	Ultra Bright Cyan	3.0	4.0	510	10000	12000	100	20
SLL-V9R05C-2M	InGaN	Water Clear	Ultra Bright Cyan	3.2	4.0	505	8000	12000	100	30
SLL-V9R05C-3A	InGaN	Water Clear	Ultra Bright Cyan	3.3	4.0	505	4000	5000	100	30
SLL-B7R05C-2A	InGaN	Water Clear	High Bright Blue	3.6	4.0	470	700	1100	100	20
SLL-B7R05C-2C	GaN/SiC	Water Clear	High Bright Blue	3.5	4.0	450	500	700	100	10
SLL-B7R05D-2B	InGaN	White Diff.	High Bright Blue	3.6	4.0	470	200	300	100	30
SLL-B9R05C-1C	InGaN	Water Clear	Ultra Bright Blue	3.2	4.0	470	2000	4000	100	40
SLL-B9R05C-2A	GaN/SiC	Water Clear	Ultra Bright Blue	3.5	4.0	468	3000	4000	100	20
SLL-B9R05C-2D	InGaN	Water Clear	Ultra Bright Blue	3.3	4.0	470	2500	3500	100	10
SLL-B9R05C-2H	GaN/SiC	Water Clear	Ultra Bright Blue	3.2	4.0	465	3000	5000	100	20
SLL-W9R05C-1B	InGaN	Water Clear	Ultra Bright White	3.2	4.0	--	1000	2000	100	10
SLL-W9R05D	InGaN	White Diff.	Ultra Bright White	3.2	4.0	--	1500	2500	100	60
SLL-W9R05C-2C	InGaN	Water Clear	Ultra Bright White	3.2	4.0	--	8000	10000	100	20
SLL-W9R05C-2D	InGaN	Water Clear	Ultra Bright White	3.3	4.0	--	6000	8000	100	10
SLL-W9R05C-1G	InGaN	Water Clear	Ultra Bright White	3.2	4.0	--	10000	14000	100	20

(Test condition) 测试条件

IF=20mA/VR=5V

Part Number	Chip Material	Lens Type	Emitting Color	Forward Voltage (V)		Dominant Wave length TYP(nm)	Luminous Intensity (mcd)		Reverse Current (μA) MAX	Viewing Angel (deg) /2
				TYI	MAX		MIN	MAX		

➤ Φ5*8.6mm Round Long Lead LED without Flange



SLL-R9P05C-1A	AlGaInP	Water Clear	Ultra Bright Red	2.1	2.5	630	800	1200	10	20
SLL-V9P05C-1N	InGaN	Water Clear	Ultra Bright Verdant	3.1	4.0	530	10000	15000	100	20
SLL-B9P05C-2F	InGaN	Water Clear	Ultra Bright Blue	3.6	4.0	470	2000	3000	100	10
SLL-W9P05C-1C	InGaN	Water Clear	Ultra Bright White	3.2	4.0	--	3000	4000	100	10

(Test condition) 测试条件

IF=20mA

IF=20mA

IF=20mA

VR=5V

F=20mA

Part Number	Chip Material	Lens Type	Emitting Color	Forward Voltage (V)		Dominant Wave length TYP(nm)	Luminous Intensity (mcd)		Reverse Current (μA) MAX	Viewing Angel (deg) /2
				TYI	MAX		MIN	MAX		

➤ Φ5*4.7mm Round Wide Angle LED with Flange

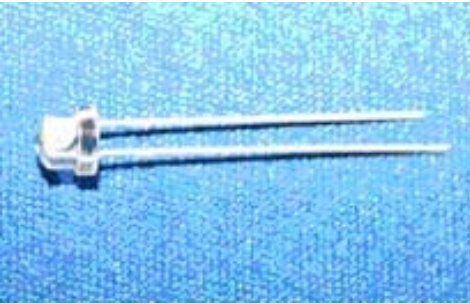
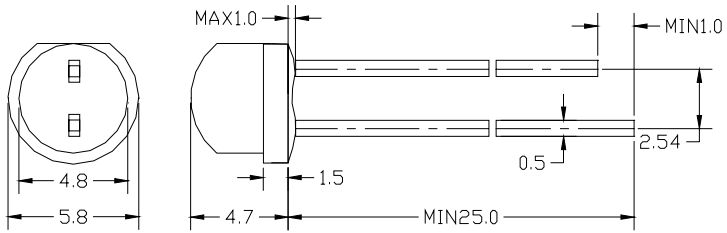


厦门市曙光电子科技有限公司

Xiamen Shulight Optoelectronic Technology Co., Ltd.

ADD: No. 180 Building Road Nanshan, Huli Industrial Zone, Xiamen 361006, China

TEL: +86-592-5659669 FAX: 86-5639450 E-mail: sales@slt-led.com <http://www.slt-led.com>

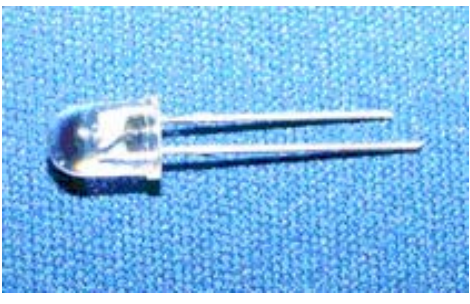
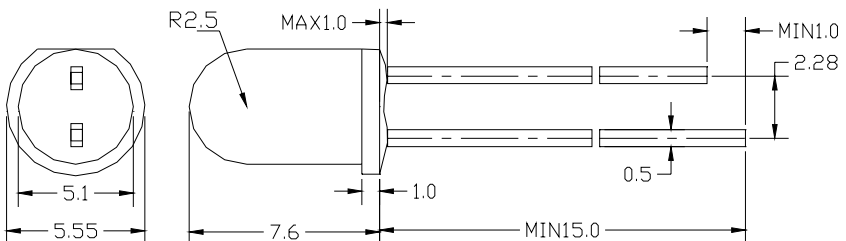
		
--	--	--

SLL-R9R05C-1F	Al GaInP	Water Clear	Ultra Bright Red	2.0	2.5	625	200	350	10	80
SLL-R9R05C-1Q	Al GaInP	Water Clear	Ultra Bright Red	2.1	2.5	645	400	600	10	120
SLL-V9R05C-1F	InGaN	Water Clear	Ultra Bright Verdant	3.3	4.0	525	400	600	100	80
SLL-V9R05C-1M	InGaN	Water Clear	Ultra Bright Cyan	3.3	4.0	500	500	700	100	120
SLL-B9R05C-1B	InGaN	Water Clear	Ultra Bright Blue	3.3	4.0	470	100	200	100	80
SLL-B9R05C-1D	GaN/SiC	Water Clear	Ultra Bright Blue	3.2	4.0	465	300	500	100	120

(Test condition) 测试条件

IF=20Ma/VR=5V

➤ **Φ5*7.6mm Round Short Lead LED with Flange**

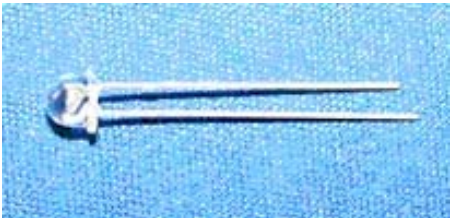
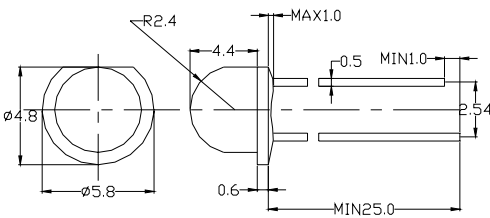
		
---	---	--

SLL-Y9R05C-1B	Al GaInP	Water Clear	Ultra Bright Yellow	2.0	2.5	590	800	1000	10	50
---------------	----------	-------------	---------------------	-----	-----	-----	-----	------	----	----

(Test condition) 测试条件

IF=20Ma/VR=5V

➤ **Φ5*4.4mm Round Wide Angle LED with Flange**

		
---	--	--

SLL-R9R05C-1K	Al GaInP	Water Clear	Ultra Bright Red	2.0	2.5	625	350	450	10	60
SLL-R9R05C-1S	Al GaInP	Water Clear	Ultra Bright Red	2.0	2.5	625	200	300	10	75
SLL-V9R05C-1I	InGaN	Water Clear	Ultra Bright Verdant	3.2	4.0	525	1600	2000	100	60
SLL-B7R05C-1B	InGaN	Water Clear	High Bright Blue	3.2	4.0	475	300	400	100	60
SLL-B7R05D/518	GaN/SiC	White Diff.	High Bright Blue	3.8	4.2	460	50	100	100	40

(Test condition) 测试条件

IF=20mA/VR=5V

Notes: The above is part of 3mm round LEDs we have produced. The datum are only for your reference, we can custom as your demand..