



厦门市曙光电子科技有限公司


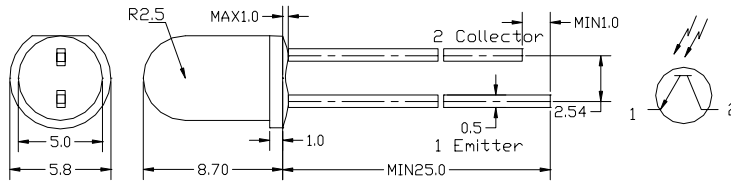
Xiamen Shulight Optoelectronic Technology Co., Ltd.

ADD: No. 180 Building Road Nanshan, Huli Industrial Zone, Xiamen 361006, China


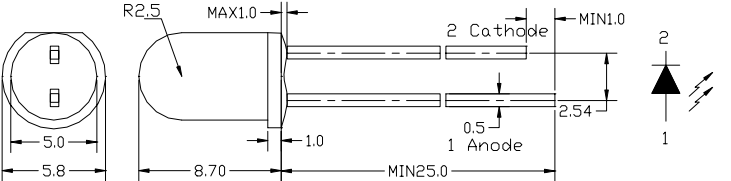
TEL: +86-592-5659669 FAX: 86-5639450 E-mail: sales@slt-led.com <http://www.slt-led.com>

● SHULIGHT® Infrared Group Series LED

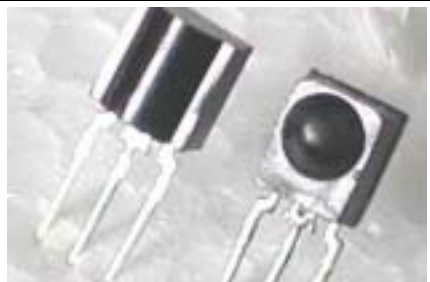
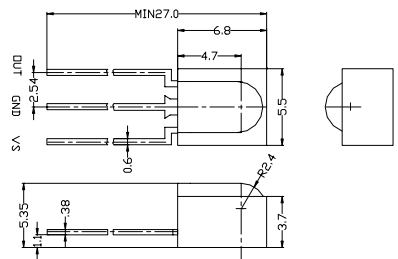
5mm Phototransistor series

Part Number	Material	Lens Type	Ri se & Fa l l Time (us)	Vce(SAT)		Ic(on)		BV _{CEO} Mi n. (V)
				Ee=mW/cm ²	Max (V)	Ee=mW/cm ²	Min (mA)	
								
SLF05C	Silicon	Water Clear	15/15	1	0.4	1	0.7	30
SLF05D	Silicon	Black	15/15	1	0.4	1	0.7	30
SLF05C-1A	Silicon	Water Clear	15/15	1	0.4	1	0.7	30

5mm Infrared LED

Part Number	Material	Lens Type	Domi nant Wavel ength	Forward Vol tage (V)		Power (mW/sr)		Vi ewi ng Angle (deg)
			TYP.	MIN	MAX	MIN	MAX	MAX
								
SLE05B	GaAl As	Color trans.	940 nm	1.1	1.5	3.5	5.0	60
SLE05C	GaAl As	Water Clear	940 nm	1.1	1.5	4.0	6.0	30
SLE05C-2A	GaAl As	Water Clear	940 nm	1.1	1.5	3.5	5.0	45
SLE05B-1A	GaAl As	Color trans.	940 nm	1.0	1.5	4.0	6.0	20
SLE908T-XX	GaAl As	Water Clear	940 nm	1.2	1.5	0.5	10	60

Infrared Remote Control Receiver Module

Part Number	Center Frequency(KHz)	Supply Vol tage Typ. (V)	Supply Current Max. (mA)	Transmi ssi on Di stance Mi n. (m)	Angle(°)	notee
						
SL8138X-XX	38	3, 5	3	10	± 45	/

Notes: The above is part of 3mm round LEDs we have produced. The datum are only for your reference, we can custom as your demand..